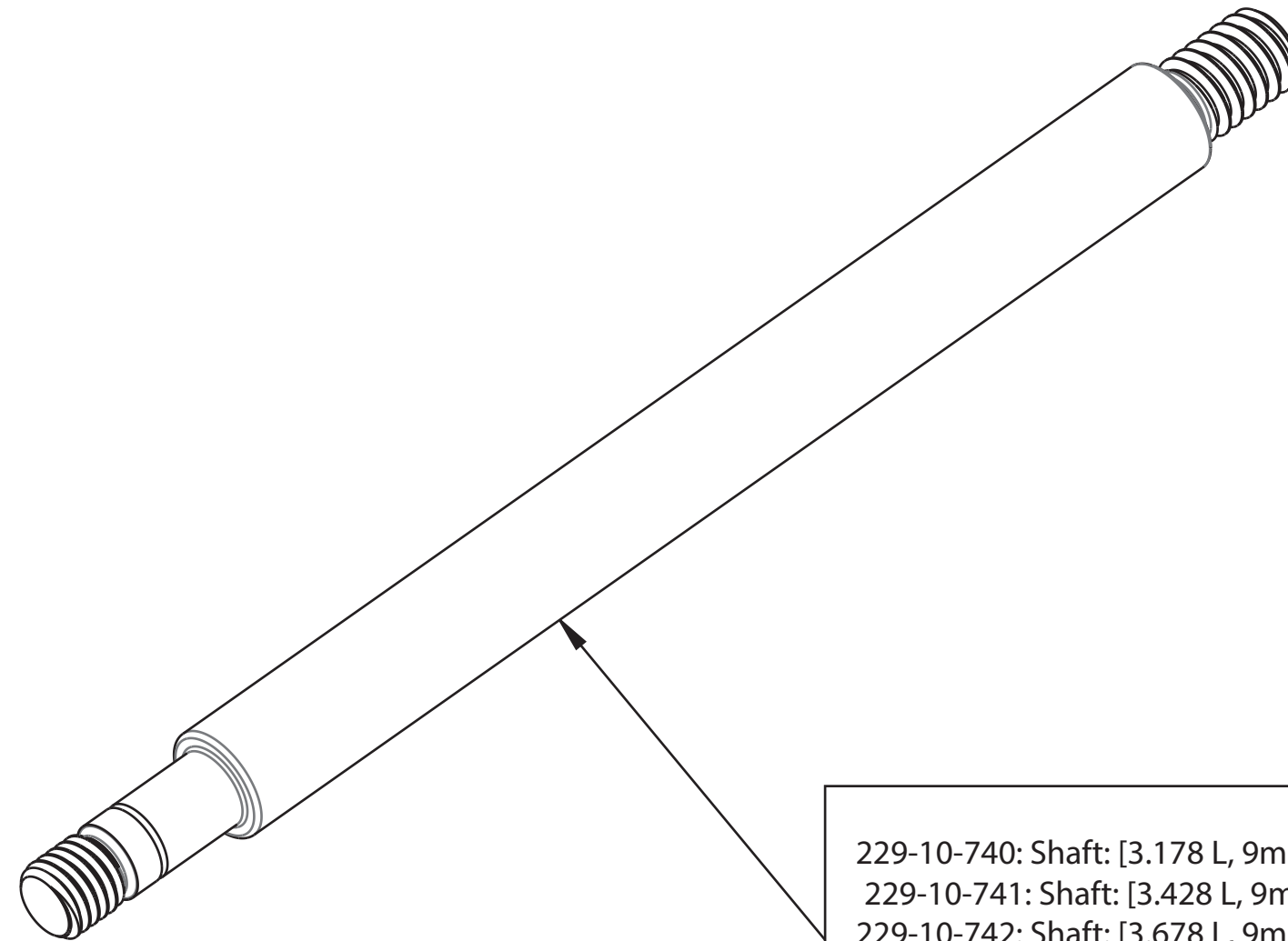


SECTION **A-A**  
SCALE 1:1



SHAFTS:	
229-10-740:	Shaft: [3.178 L, 9mm OD], Float X2, Steel, Chrome Plate, 2.25
229-10-741:	Shaft: [3.428 L, 9mm OD], Float X2, Steel, Chrome Plate, 2.5
229-10-742:	Shaft: [3.678 L, 9mm OD], Float X2, Steel, Chrome Plate, 2.75
229-10-743:	Shaft: [3.928 L, 9mm OD], Float X2, Steel, Chrome Plate, 3.0
229-10-744:	Shaft: [4.428 L, 9mm OD], Float X2, Steel, Chrome Plate, 3.5
229-10-745:	Shaft: [3.093 L, 9mm OD], Float X2, Steel, Chrome Plate, 50/55
229-10-746:	Shaft: [3.487 L, 9mm OD], Float X2, Steel, Chrome Plate, 60/65
229-10-747:	Shaft: [3.881 L, 9mm OD], Float X2, Steel, Chrome Plate, 70/75

TORQUE:  
80±2 IN-LB



812-06-091-KIT  
Bearing Assy: 2019 Float X2, [.940 Bore, 1.600 Bore, 9mm Shaft], B/O Spacer

PISTON ASSEMBLIES:	
805-00-109-KIT:	Piston Assembly: X2, .868in Bore, CL
805-00-108-KIT:	Piston Assembly: X2, .868in Bore, CM
805-00-105-KIT:	Piston Assembly: X2, .868in Bore, CF

018-00-012-A  
Fastener, Standard: Nut [1/4-28 X 5/32 TLG] Grade 8, Zinc Plated

**FOX** **FOX Factory, Inc.** Ph 831-768-1100  
130 Hongor Way, Watsonville, CA 95076 USA Fax 831-768-9312

TITLE  
**2019 FLOAT X2 Shaft Assemblies**

SIZE DWG. NO.

**C**

PLOT SCALE 2:1

SHEET 1 OF 1

PROPRIETARY  
THIS DOCUMENT CONTAINS CONFIDENTIAL, PROPRIETARY INFORMATION  
THAT IS FOX PROPERTY. DO NOT DISCLOSE TO OR DUPLICATE  
FOR OTHERS EXCEPT AS AUTHORIZED BY FOX.